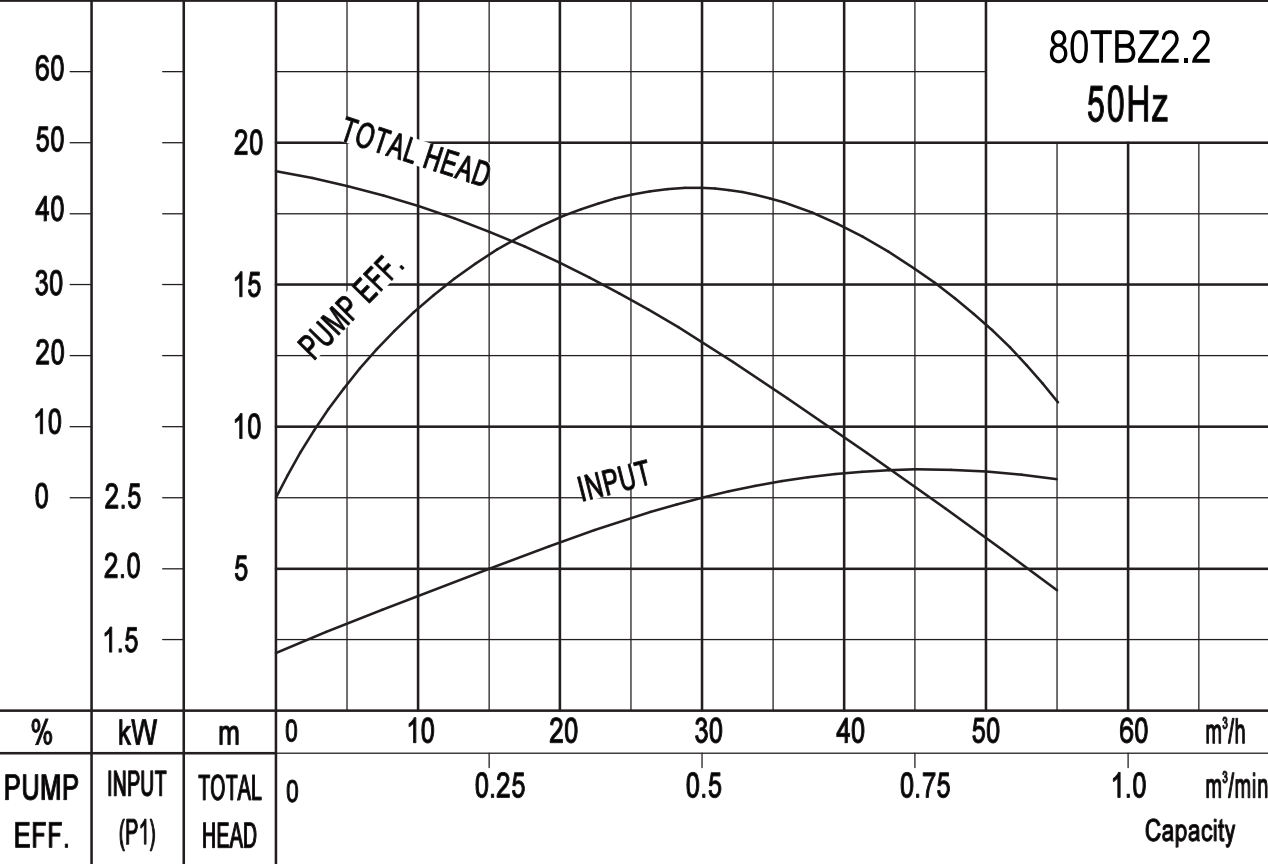


PUMP PERFORMANCE CURVES

TYPE: SUBMERSIBLE CONTRACTORS' DEWATERING PUMP	MODEL: 80TBZ2.2	FREQUENCY: 50Hz
---	------------------------	------------------------

STANDARD SPECIFICATIONS	
DISCHARGE BORE	80 mm
HEAD	Max: 19 m Rated: 11 m
CAPACITY	Max: 0.92 m ³ /min Rated: 0.60 m ³ /min
MOTOR OUTPUT	2.2 kW
PHASE x VOLTAGE	3 Øx 400 V
CURRENT	5 A
POLES/REVOLUTION	2 P/ S.S.2850 min ⁻¹
STARTING METHOD	Direct-on-line start
INSULATION CLASS	F

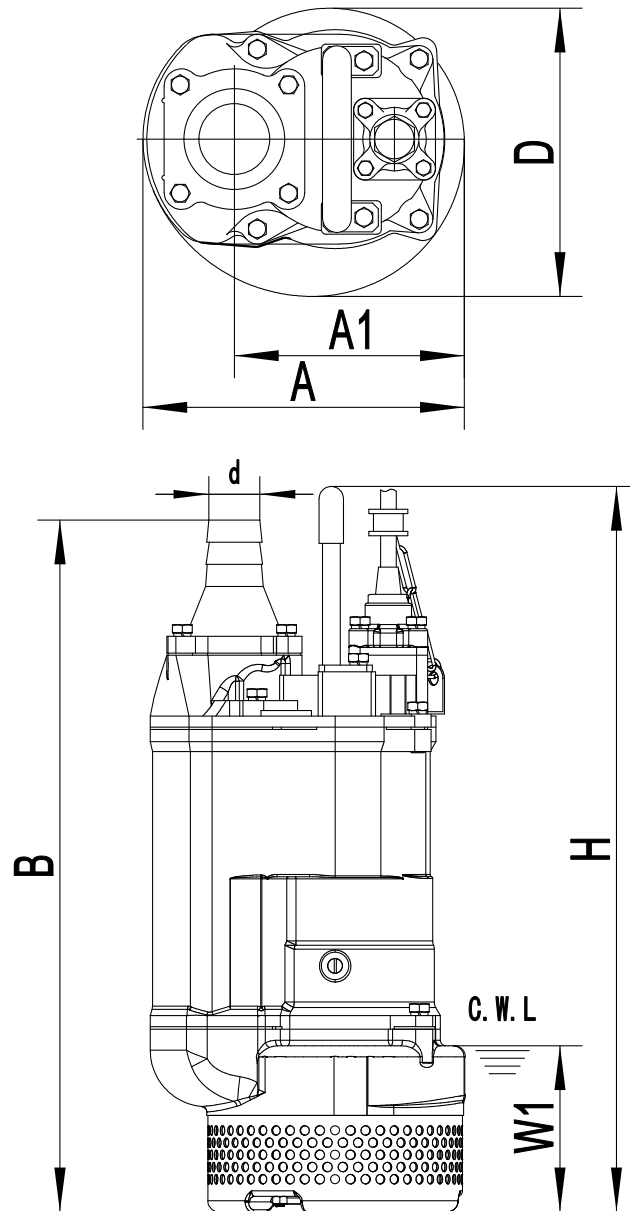


SOLIDPUMP EUROPE SIA

DIMENSION DRAWING

TYPE: **SUBMERSIBLE CONTRACTORS' DEWATERING PUMP**

MODEL: **80TBZ2.2**



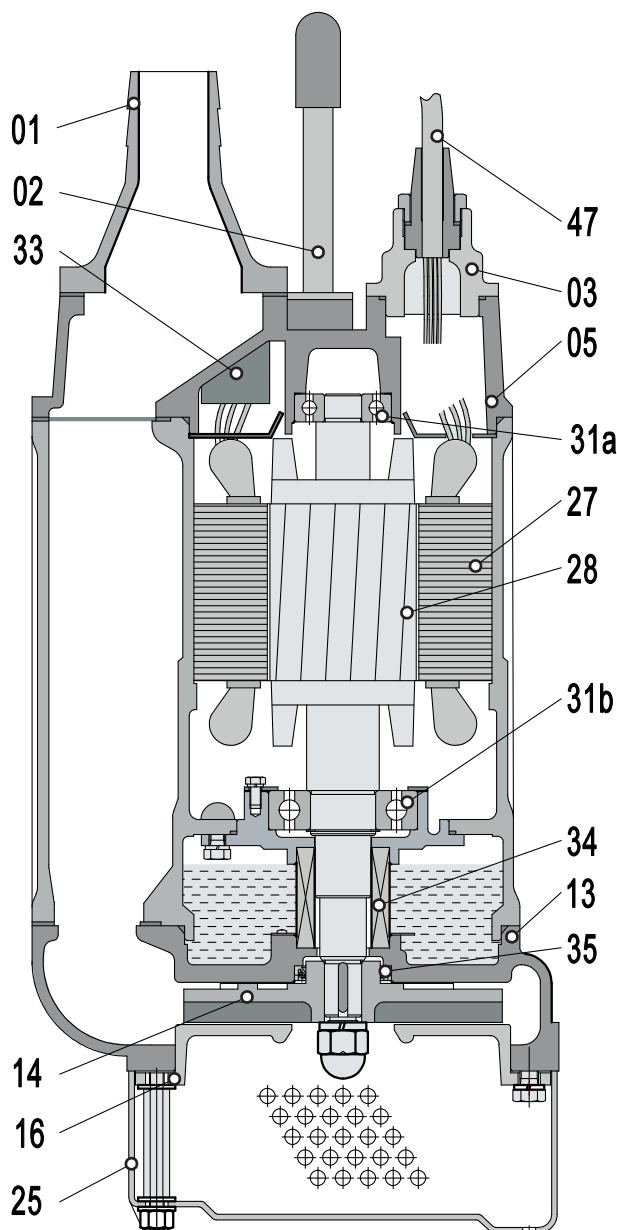
W1:Continuous running water level

Model (50Hz)	d	A	A1	B	D	H	W1	N.W
	mm	mm	mm	mm	mm	mm	mm	Kg
50TBZ1.5	50	235	173	535	216	505	120	36
80TBZ1.5	80	235	173	535	216	505	120	36
50TBZ2.2	50	235	173	535	216	505	120	39
● 80TBZ2.2	80	235	173	535	216	505	120	39
50TBZ3.7	50	283	208	628	252	629	150	63
80TBZ3.7	80	283	208	628	252	629	150	63
100TBZ3.7	100	283	208	642	252	629	150	63
80TBZ5.5	80	283	208	671	252	590	150	77
100TBZ5.5	100	283	208	686	252	590	150	77

DIMENSION DRAWING

TYPE: **SUBMERSIBLE CONTRACTORS' DEWATERING PUMP**

MODEL: **80TBZ2.2**



Item No.	Part name	Material	Item No.	Part name	Material
01	Hose coupling	Cast iron	28	Rotor	Shaft: AISI420SS
02	Handle	Rubber&steel	31a	Bearing	Ball bearing
05	Upper cover	Cast iron	31b	Bearing	Ball bearing
11	Motor body	Cast iron	33	Motor protector	
13	Pump body	Cast iron	34	Mechanical seal	SiC-SiC/Carbon-SiC($\leq 2.2kW$) SiC-SiC/SiC-SiC(>math>\geq 3.7kW</math>)
14	Impeller	High chrome alloy	35	Oil seal	
16	Inlet plate	Ductile iron	47	Cable	
25	Strainer	Steel			
27	Stator				

Specifications can be changed without notice

Solidpump Europe SIA

Uriekstes iela 14a
Rīga, LV-1005
LATVIA

Tel.: + 371 66164228
E-mail: info@solidpump.com
www.solidpump.com

SOLIDPUMP EUROPE SIA